

MH-FG 900B Luggage Wrapping Machine

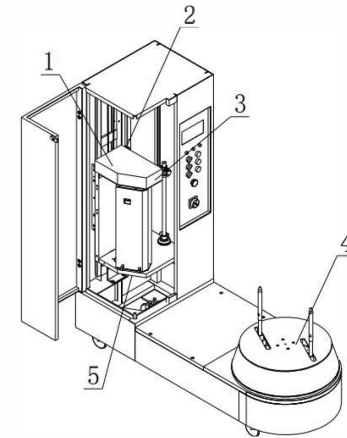
Product Code: 36MCMHFG900



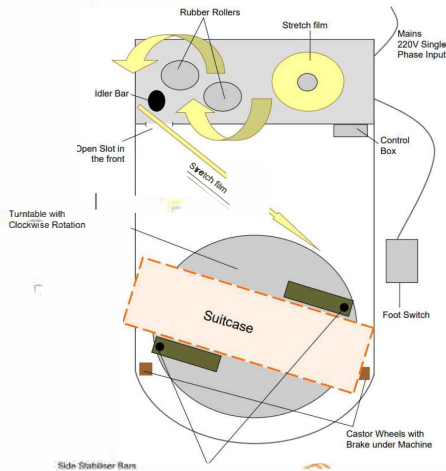
- Tamper evident wrapping of luggage
- High Performance
- Ease of use and maintenance
- Easy to transport
- Reduced risk of theft
- Soft start and emergency stop functionality
- Compact & easy to operate
- **Pre-Stretch technology using minimal plastic whilst providing maximum capability**



Works with 15mic and higher Cast Stretch Material Available at Bidvest Afcom

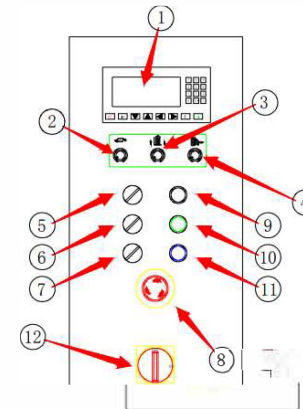


1. Pre Stretch Switch
2. Pre Stretch Travel Switch
3. Photo Electric Switch
4. Proximity Switch
5. Pre Stretch Door protection switch



Specifications:

Model:	MH-FG 900B
Power Supply:	Single Phase - 220V
Turntable Speed:	0-20 rpm
Table Board Height:	550mm
Effective Width:	400mm
Max Size (L x W x H):	1200mm x 400mm x 850mm
Max Capacity:	60 Kg's
Machine Size (L x W x H):	1600mm x 600mm x 1740mm
Work Noise:	< 75dB (A)



- Control Panel**
1. Text Controller
 2. Turnplate frequency adjustment switch
 3. Lifting frequency adjustment switch
 4. Pre-stretch frequency adjustment switch
 5. Manual/Auto Switch
 6. Manual turnplate rotate/stop switch
 7. Manual Pre-stretch up/down switch
 8. Emergency push button
 9. Power Indicator
 10. Start push button
 11. Reset push button
 12. Main switch

