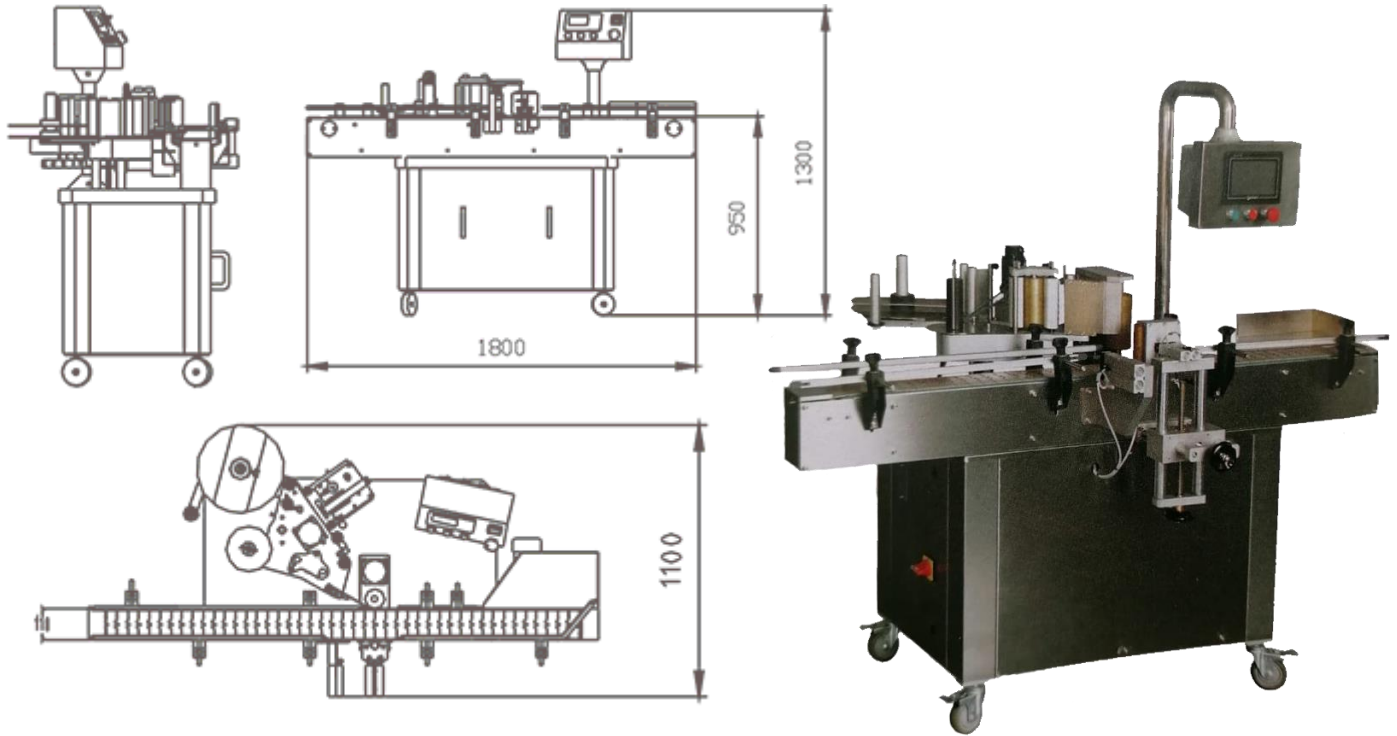


The A2000 label applicator can stick 1 or 2 labels on a round container at the same time. It is a highly reliable and convenient machine. It is easy to work with and an economical option. With the capacity of applying up to 1500 labels per hour, it is the perfect applicator for small to medium production lines.



TECHNICAL SPECIFICATIONS

Model	A2000
Power Supply	IP 220V 50Hz 400W
Air Pressure	2 – 5kg/cm ²
Applicator Container Range	(H) 40-200mm, (Φ) 25-100mm ($\geq \Phi$ 100mm custom size)
Applicable material	Adhesive Sticker
Applicable Label range (L x H)	15-300mm x 15-120mm
Space between labels	≥ 3 mm
Label scroll (Diameter Φ)	Inner Φ 76mm, Outer Φ 280mm
Direction of label scroll	Clockwise
One label speed	0-25pcs/min (depends on the bottle size and label length)
Two labels speed	0-15pcs/min (depends on the bottle size and label length)
One label precision	± 1 mm (except container error)
Two label precision	± 1.5 mm (except container error)
Table height	950mm
Machine dimension (L x W x H)	800mm x 100mm x 700mm