

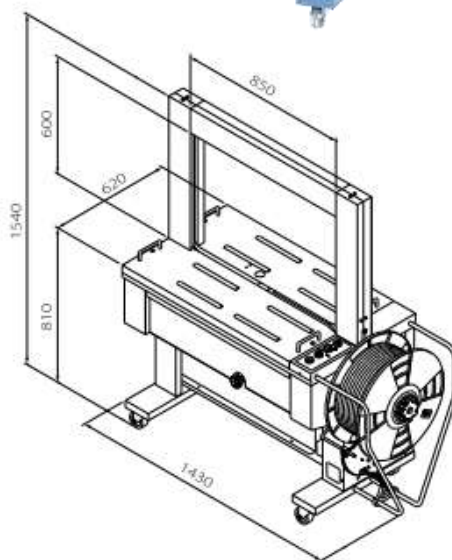
The TP-6000 is an economic automatic strapping machine for PP strapping. Easy operation and simple maintenance. The proven quality and performance makes the TP 6000 model the most cost effective solution for general strapping applications.

Features & Benefits

- Lubrication free strapping head
- External Machine Tension control
- Multiple Methods of Cycle Initiation
- Affordable choice for every budget

Options

- Short feed sensor
- Smoke exhaust system with carbon filter
- Table without free roller
- PU Casters (2 free and 2 brake)
- Stainless steel frame SUS 304



H \ W	650	850	1050	1250	1450	1650
400	✓	✓	✓	✓	✓	✓
600	✓	Ⓢ	✓	✓	✓	✓
800		✓	✓	✓	✓	✓
1000		✓	✓	✓	✓	✓
1200		✓	✓	✓	✓	✓

Ⓢ Standard size: 850 mm (W) x 600 mm (H)

- ✓ means available arch size
- More arch sizes are on request



Technical Specifications

Model	TP6000
Capacity	Up to 27 cycles/minute
Strap Width	8mm, 9mm, 12mm, 15.5mm
Tension Range	10 – 70 kg
Net Weight	220 kg
Electrical Requirements	110V, 220V, 230V, 240V, 50/60Hz, 1PH 220V, 380V, 400V, 415V, 50/60Hz, 3PH

